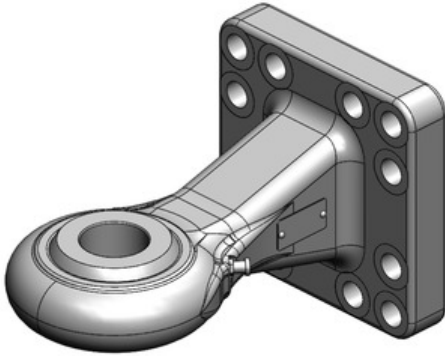


**Art.Nr. 00.665.17.1-A02 | Towing Eyes | Flange**



Ball Joint Towing Eye Cat. 4 DØ51mm

Alternative color

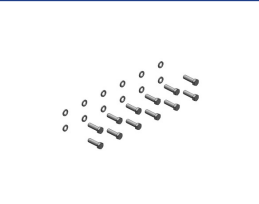
00.665.17.1-A02 (Black )

Technical Values\*

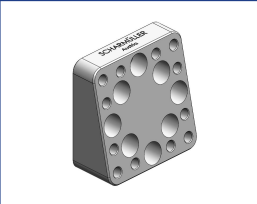
**Flange Hole Pattern (mm):** 160x160 | **Thread:** M20 | **Hole Pattern Holes:** 12 |  
**Flange Alignment:** Vertical | **Working Length (mm):** 246 | **Max. Permissible D-Value (kN):** 120,2 | **Max. Permissible Vertical Load (kg):** 3000

**Attachments**

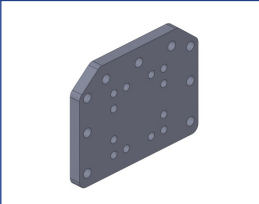
**Art.Nr. 00.950.30.0**  
Screw Sets



**Art.Nr. 00.645.17.9**  
Screw-On Plates



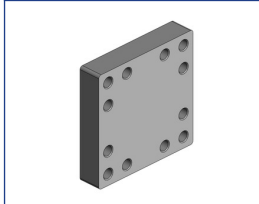
**Art.Nr. 00.645.310.0**  
Screw-On Plates



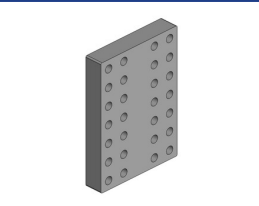
**Art.Nr. 00.645.60.0**  
Screw-On Plates



**Art.Nr. 00.645.13.0**  
Weld-On Plates



**Art.Nr. 00.645.14.0**  
Weld-On Plates



**Art.Nr. 00.645.140.0**  
Weld-On Plates

