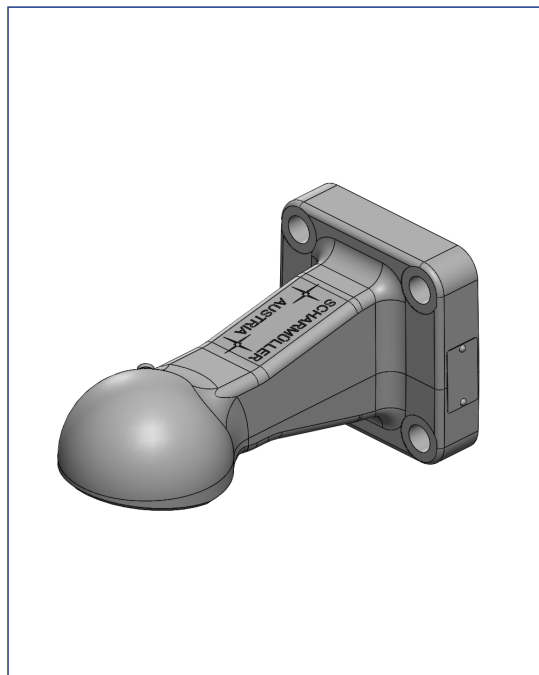


Art.Nr. 00.664.91.0-A02 | Towing Eyes | Flange



K80® Towing Eye Ball Coupling System	
Alternative color	
00.664.91.0-A02 (Black)	
Technical Values*	
Flange Hole Pattern (mm): 120x120 Thread: M20 Hole Pattern Holes: 4 Flange Alignment: Vertical Working Length (mm): 250 Max. Permissible D-Value (kN): 89,3 Max. Permissible Vertical Load (kg): 3000	
Appropriate Trailers	
Claas:	Quadrant: 3200, 3400;

Attachments

<p>Art.Nr. 10.731.001.0 Anti-Theft Locks</p>	<p>Art.Nr. 10.333.3280.0 Wear Gauge</p>	<p>Art.Nr. 00.950.21.0 Screw Sets</p>	<p>Art.Nr. 00.645.10.0 Weld-On Plates</p>	<p>Art.Nr. 00.645.11.0 Weld-On Plates</p>
<p>Art.Nr. 00.645.12.0 Weld-On Plates</p>	<p>Art.Nr. 10.344.280.0-A02 Consoles for Tractors / Trailers</p>	<p>Art.Nr. 10.344.281.0-A02 Consoles for Tractors / Trailers</p>		