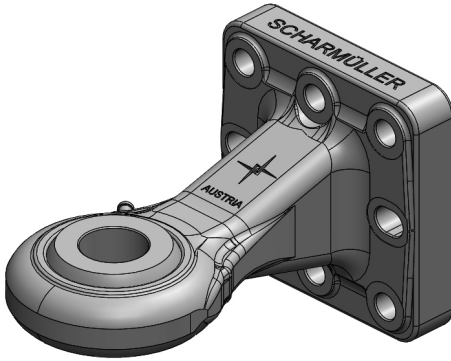


Art.Nr. 00.654.171.0-A02 | Towing Eyes | Flange



Ball Joint Towing Eye Cat. 4 DØ51mm

Alternative color

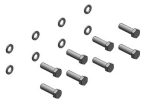
00.654.171.0-A02 (Black)

Technical Values*

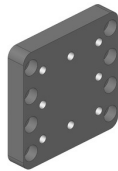
Flange Hole Pattern (mm): 145x145 | Thread: M20 | Hole Pattern Holes: 8 |
 Flange Alignment: Vertical | Working Length (mm): 250 | Max. Permissible D-Value (kN):
 120,2 | Max. Permissible Vertical Load (kg): 3000

Attachments

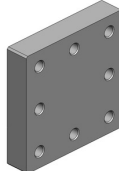
Art.Nr. 00.950.05.0
 Screw Sets



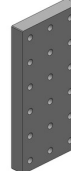
Art.Nr. 00.645.05.0
 Screw-On Plates



Art.Nr. 00.645.01.0
 Weld-On Plates



Art.Nr. 00.645.09.0
 Weld-On Plates



Art.Nr. 00.645.27.0
 Weld-On Plates

