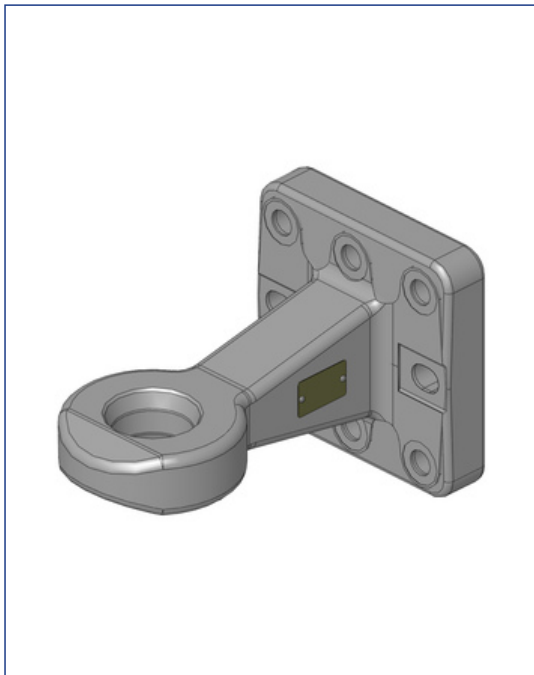


Art.Nr. 00.654.11.0-A02 | Towing Eyes | Flange



Ring Towing Eye DØ62mm rigid (Challenger)
Alternative color
00.654.11.0-A02 (Black)
Technical Values*
Flange Hole Pattern (mm): 145x145 Thread: M20 Hole Pattern Holes: 8 Flange Alignment: Vertical Working Length (mm): 250 Max. Permissible D-Value (kN): 83,1 Max. Permissible Vertical Load (kg): 3000

Attachments

Art.Nr. 00.950.05.0 Screw Sets	Art.Nr. 00.645.05.0 Screw-On Plates	Art.Nr. 00.645.01.0 Weld-On Plates	Art.Nr. 00.645.09.0 Weld-On Plates	Art.Nr. 00.645.27.0 Weld-On Plates