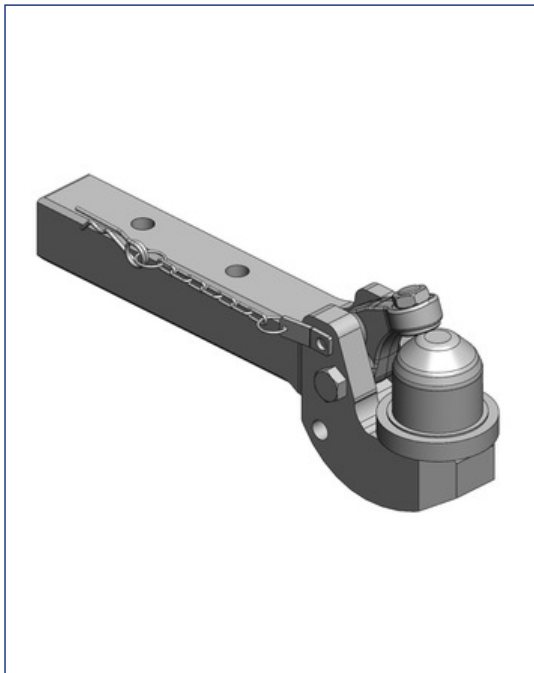


**Art.Nr. 00.426.00.3-A20 | Pick-Up Hitches | Inserts K80®**



K80® Ball Coupling System

Alternative color

00.426.00.3-A20 (Pöttinger-Red)

Technical Values\*

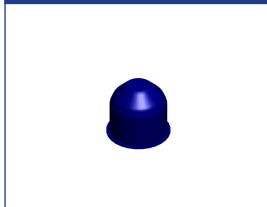
Working Length (mm): 265 | Length (mm): 545 | Max. Permissible D-Value (kN): 89,3 |  
 Max. Permissible Vertical Load (kg): 2000 | Hole Pattern/Hole Distance (mm): 125 |  
 Drilled Hole Ø (mm): 22,5 | Shaft Height x Width: 70x70 | Pick-Up Hitch Producer:  
 fits with Sauermann

Adapted for Tractor

Fendt: Favorit-Vario 700: 711, 712, 714, 716, 718; Favorit-Vario 900: 916, 920,  
 924, 926; Vario 700/800: 711, 712, 714, 716, 718, 815, 816, 817, 818,  
 820; Vario 900: 916, 920, 922, 924, 926, 927, 930, 933, 936;

**Attachments**

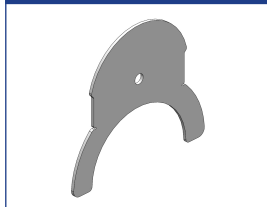
Art.Nr. 10.730.800.0  
 Covering Caps Foam Rings



Art.Nr. 20.412.000  
 Covering Caps Foam Rings



Art.Nr. 10.333.3280.0  
 Wear Gauge



**Compatibly with**

Art.Nr. 00.520.33.0-A02  
 For K80®-Pickup Hitch Inserts

