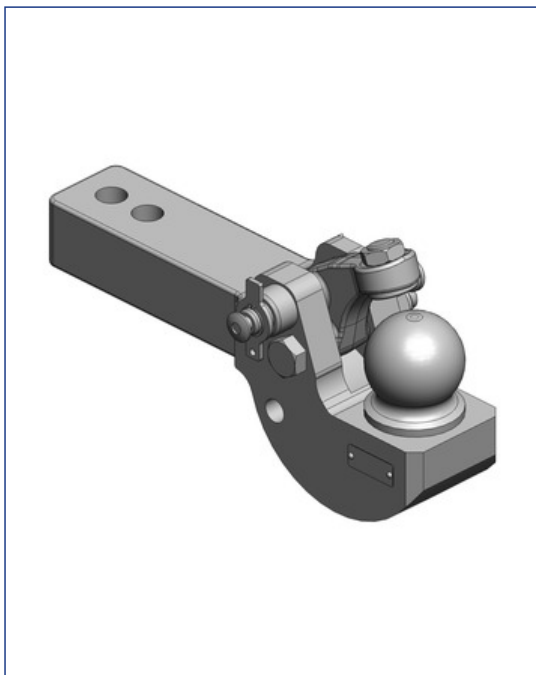


Art.Nr. 00.422.60.0-A20 | Pick-Up Hitches | Inserts K80®



K80® Ball Coupling System	
Alternative color	
00.422.60.0-A20 (Pöttinger-Red)	
Technical Values*	
Working Length (mm): 336 Lenght (mm): 417 Max. Permissible D-Value (kN): 82,4 Max. Permissible Vertical Load (kg): 2000 Hole Pattern/Hole Distance (mm): 40 Drilled Hole Ø (mm): 26 Shaft Height x Width: 60x80 Pick-Up Hitch Producer: fits with LH-Lift	
Adapted for Tractor	
Valtra:	C-Series: 100, 110, 120, 130, 150, 90; M-Series: 120, 130, 150; N1/2-Series: 101, 111e, 121, 122, 134, 141, 142, 82, 92; N3-Series: 103, 113, 123, 143, 163, 93; T-Series: 120, 130, 140, 150, 160, 170, 180, 190; T1-Series: 121, 131, 151e, 161, 171, 191; T2-Series: 132, 152, 162e, 172, 182, 202; T3-Series: 133, 153, 163e, 173, 183, 193, 203, 213; XM-Series: 130, 150;

Attachments

Art.Nr. 10.730.800.0
 Covering Caps Foam Rings

Art.Nr. 20.412.000
 Covering Caps Foam Rings

Art.Nr. 10.333.3280.0
 Wear Gauge

Compatibly with

Art.Nr. 00.520.33.0-A02
 For K80®-Pickup Hitch Inserts