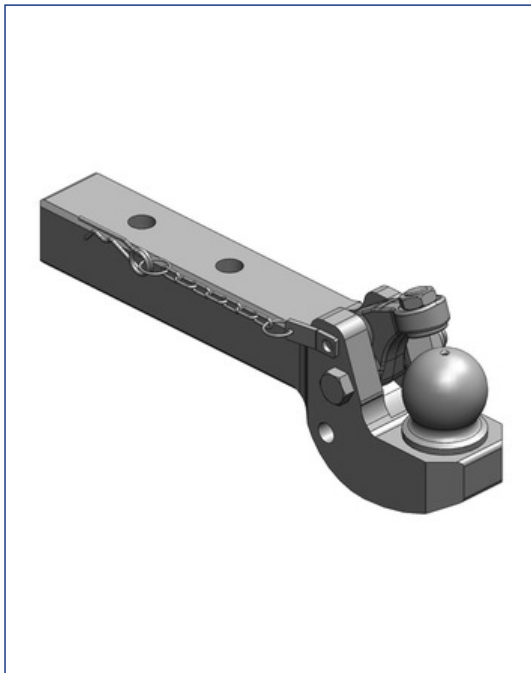


**Art.Nr. 00.422.05.2-A20 | Pick-Up Hitches | Inserts K80®**



**K80® Ball Coupling System**

**Alternative color**

00.422.05.2-A20 (Pöttinger-Red)

**Technical Values\***

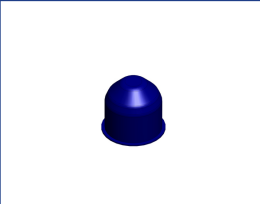
**Working Length (mm):** 282 | **Lenght (mm):** 545 | **Max. Permissible D-Value (kN):** 89,3 | **Max. Permissible Vertical Load (kg):** 2000 | **Hole Pattern/Hole Distance (mm):** 115 | **Drilled Hole Ø (mm):** 26 | **Shaft Height x Width:** 70x80 | **Pick-Up Hitch Producer:** fits with Bennet

**Adapted for Tractor**

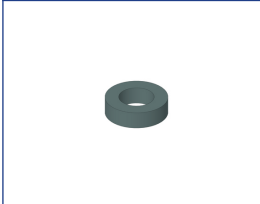
**Fendt:** **Farmer 300:** 304, 306, 307, 308, 309, 310, 311; **Favorit 800:** 816, 818, 822, 824; **Vario 400:** 411, 412, 413, 414, 415;

**Attachments**

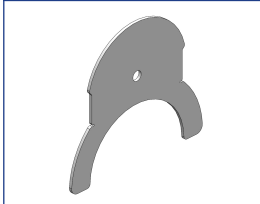
**Art.Nr. 10.730.800.0**  
 Covering Caps Foam Rings



**Art.Nr. 20.412.000**  
 Covering Caps Foam Rings



**Art.Nr. 10.333.3280.0**  
 Wear Gauge



**Compatibly with**

**Art.Nr. 00.520.33.0-A02**  
 For K80®-Pickup Hitch Inserts

