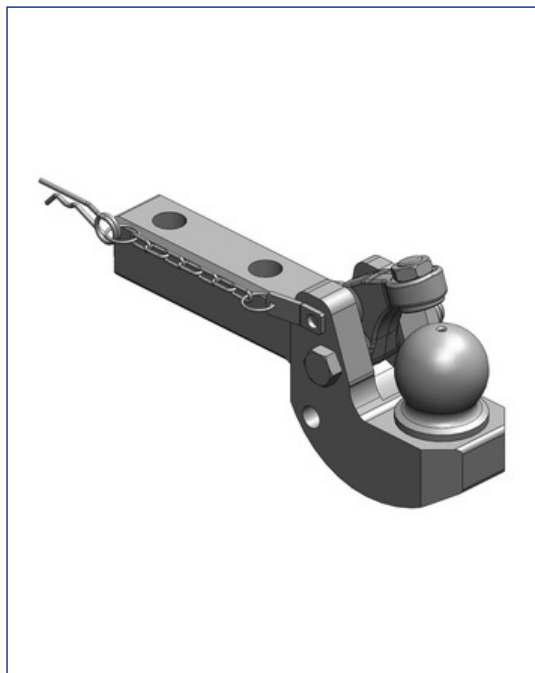


Art.Nr. 00.421.11.2-A20 | Pick-Up Hitches | Inserts K80®



K80® Ball Coupling System

Alternative color

00.421.11.2-A20 (Pöttinger-Red)

Technical Values*

Working Length (mm): 210 | Length (mm): 415 | Max. Permissible D-Value (kN): 74 |
 Max. Permissible Vertical Load (kg): 1500 | Hole Pattern/Hole Distance (mm): 114 |
 Drilled Hole Ø (mm): 29 | Shaft Height x Width: 60x60 | Pick-Up Hitch Producer:
 fits with Dromone

Adapted for Tractor

Claas: Arion 600 (A19/A20): 610;

Attachments

Art.Nr. 10.730.800.0
 Covering Caps Foam Rings



Art.Nr. 20.412.000
 Covering Caps Foam Rings



Art.Nr. 10.333.3280.0
 Wear Gauge



Compatibly with

Art.Nr. 00.520.33.0-A02
 For K80®-Pickup Hitch Inserts

