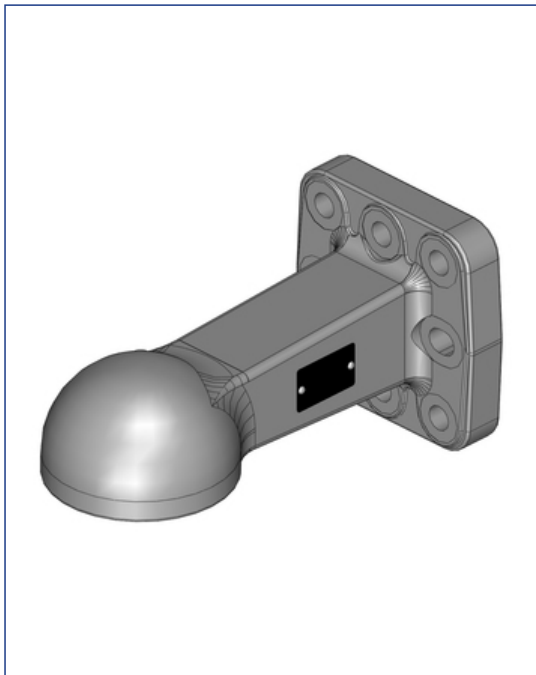


Art.Nr. 00.652.90.0-A02 | Towing Eyes | Flange



K80® Towing Eye Ball Coupling System

Alternative color

00.652.90.0-A02 (Black)

Technical Values*

Flange Hole Pattern (mm): 110x100 | **Thread:** M16 | **Hole Pattern Holes:** 8 |
Flange Alignment: Vertical | **Working Length (mm):** 240 | **Max. Permissible D-Value (kN):**
 89,3 | **Max. Permissible Vertical Load (kg):** 3000

Attachments

<p>Art.Nr. 10.731.001.0 Anti-Theft Locks</p> 	<p>Art.Nr. 10.333.3280.0 Wear Gauge</p> 	<p>Art.Nr. 00.950.25.0 Screw Sets</p> 	<p>Art.Nr. 00.645.22.0 Screw-On Plates</p> 	<p>Art.Nr. 00.645.29.0 Screw-On Plates</p> 
<p>Art.Nr. 00.645.04.0 Weld-On Plates</p> 	<p>Art.Nr. 00.645.08.0 Weld-On Plates</p> 	<p>Art.Nr. 00.645.080.0 Weld-On Plates</p> 	<p>Art.Nr. 00.645.081.0 Weld-On Plates</p> 	<p>Art.Nr. 00.645.083.0 Weld-On Plates</p> 