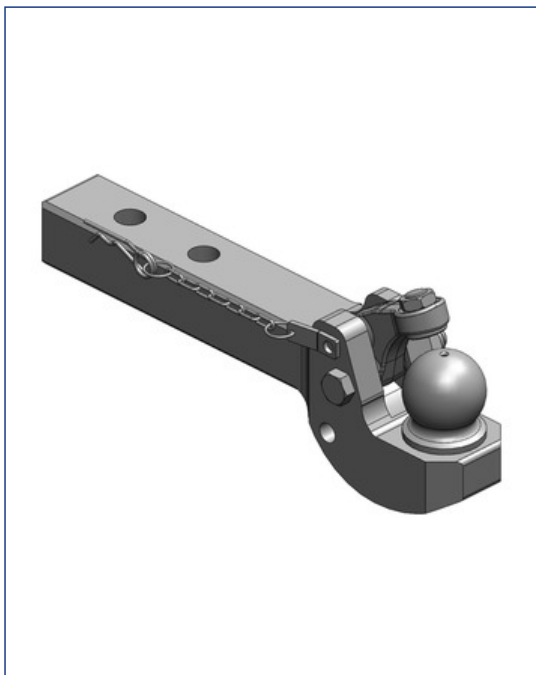


**Art.Nr. 00.429.10.0-A20 | Pick-Up Hitches | Inserts K80®**



K80® Ball Coupling System

Alternative color

00.429.10.0-A20 (Pöttinger-Red)

Technical Values\*

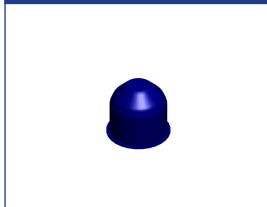
Working Length (mm): 320 | Length (mm): 550 | Max. Permissible D-Value (kN): 89,3 |  
Max. Permissible Vertical Load (kg): 3000 | Hole Pattern/Hole Distance (mm): 98 |  
Drilled Hole Ø (mm): 30,5 | Shaft Height x Width: 70x80 | Pick-Up Hitch Producer:  
fits with Dromone

Adapted for Tractor

JCB-Fastrac: 7000: 7170, 7200, 7230, 7270; 8000: 8250, 8280, 8290, 8310, 8330;

**Attachments**

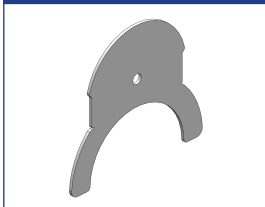
Art.Nr. 10.730.800.0  
Covering Caps Foam Rings



Art.Nr. 20.412.000  
Covering Caps Foam Rings



Art.Nr. 10.333.3280.0  
Wear Gauge



**Compatibly with**

Art.Nr. 00.520.33.0-A02  
For K80®-Pickup Hitch Inserts

