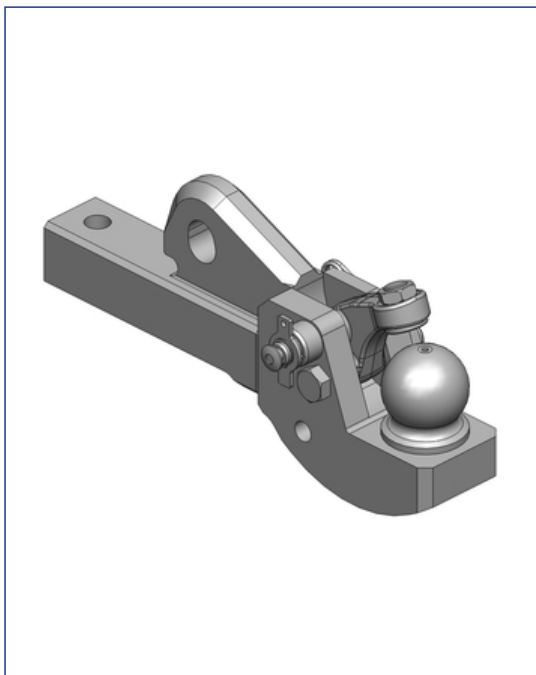


**Art.Nr. 00.428.10.0-A20 | Pick-Up Hitches | Inserts K80®**



K80® Ball Coupling System

Alternative color

00.428.10.0-A20 (Pöttinger-Red)

Technical Values\*

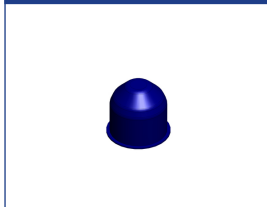
**Working Length (mm):** 417 | **Lenght (mm):** 500 | **Max. Permissible D-Value (kN):** 94,1 |  
**Max. Permissible Vertical Load (kg):** 3000 | **Drilled Hole Ø (mm):** 25 |  
**Shaft Height x Width:** 60x70 | **Pick-Up Hitch Producer:** fits with Sauermann

Adapted for Tractor

**John Deere:** 7R: 7200, 7210, 7215, 7230, 7250, 7260, 7270, 7280, 7290, 7310;

**Attachments**

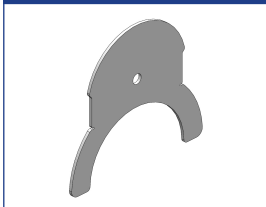
**Art.Nr. 10.730.800.0**  
 Covering Caps Foam Rings



**Art.Nr. 20.412.000**  
 Covering Caps Foam Rings



**Art.Nr. 10.333.3280.0**  
 Wear Gauge



**Compatibly with**

**Art.Nr. 00.520.33.0-A02**  
 For K80®-Pickup Hitch Inserts

