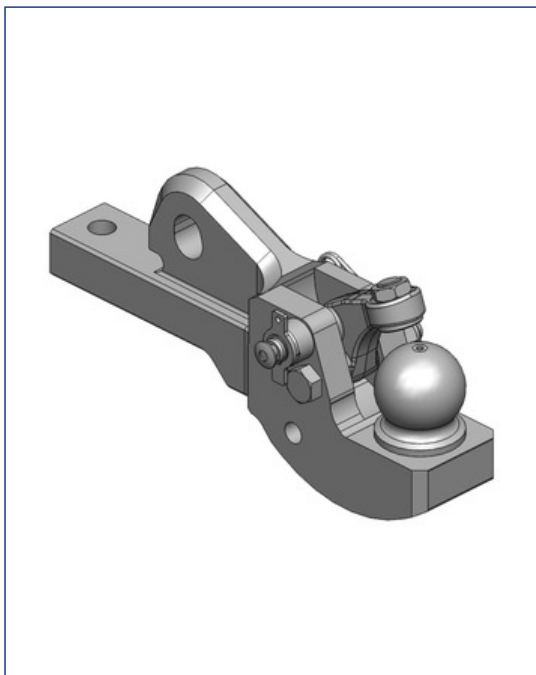


Art.Nr. 00.428.00.5-A20 | Pick-Up Hitches | Inserts K80®



K80® Ball Coupling System

Alternative color

00.428.00.5-A20 (Pöttinger-Red)

Technical Values*

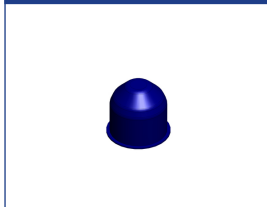
Working Length (mm): 390 | **Lenght (mm):** 469 | **Max. Permissible D-Value (kN):** 86,1 |
Max. Permissible Vertical Load (kg): 3000 | **Drilled Hole Ø (mm):** 25 |
Shaft Height x Width: 45x70 | **Pick-Up Hitch Producer:** fits with Sauermann

Adapted for Tractor

John Deere: **6010:** 6010, 6110, 6210, 6310, 6410, 6510, 6610, 6810, 6910; **6020:** 6020, 6120, 6220, 6320, 6420, 6520, 6620, 6820, 6920; **6030:** 6130, 6230, 6330, 6430, 6530, 6534, 6630, 6830, 6930; **6R:** 6105, 6110, 6115, 6120, 6125, 6130, 6135, 6140, 6145, 6150, 6155, 6170, 6190, 6210; **7020:** 7220, 7320, 7420, 7520, 7720, 7820, 7920; **7030:** 7130, 7230, 7330, 7430, 7530, 7730, 7830, 7930; **8010:** 8110, 8210, 8310, 8410; **8020:** 8120, 8220, 8320, 8420, 8520; **8030:** 8130, 8230, 8330, 8430, 8530;

Attachments

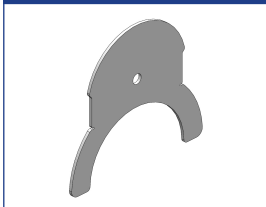
Art.Nr. 10.730.800.0
 Covering Caps Foam Rings



Art.Nr. 20.412.000
 Covering Caps Foam Rings



Art.Nr. 10.333.3280.0
 Wear Gauge



Compatibly with

Art.Nr. 00.520.33.0-A02
 For K80®-Pickup Hitch Inserts

