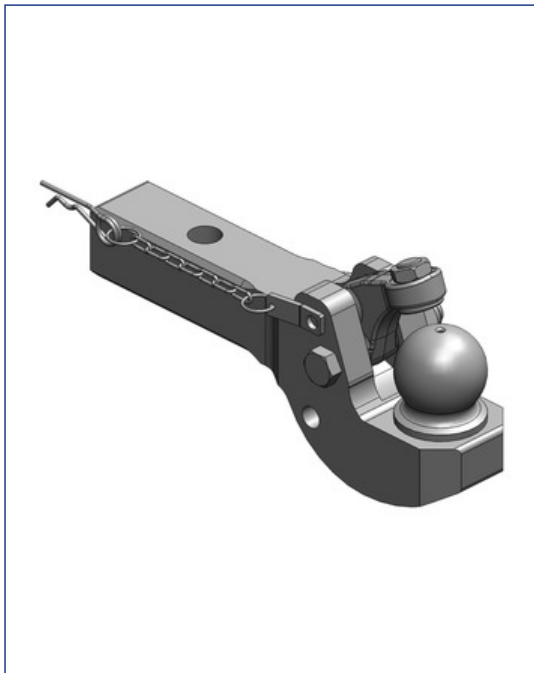


Art.Nr. 00.422.03.2-A20 | Pick-Up Hitches | Inserts K80®



K80® Ball Coupling System	
Alternative color	
00.422.03.2-A20 (Pöttinger-Red)	
Technical Values*	
Working Length (mm): 282 Length (mm): 435 Max. Permissible D-Value (kN): 73,6 Max. Permissible Vertical Load (kg): 3000 Drilled Hole Ø (mm): 30,5 Shaft Height x Width: 70x70 Pick-Up Hitch Producer: fits with Bennet	
Adapted for Tractor	
Fendt:	Favorit-Vario 700: 711, 712, 714, 716, 718; Favorit-Vario 900: 916, 920, 924, 926; Vario 700/800: 711, 712, 714, 716, 718, 815, 816, 817, 818, 820; Vario 900: 916, 920, 922, 924, 926, 927, 930, 933, 936; Vario SCR 500: 512, 513, 514, 516;

Attachments

Art.Nr. 10.730.800.0
 Covering Caps Foam Rings

Art.Nr. 20.412.000
 Covering Caps Foam Rings

Art.Nr. 10.333.3280.0
 Wear Gauge

Compatibly with

Art.Nr. 00.520.33.0-A02
 For K80®-Pickup Hitch Inserts